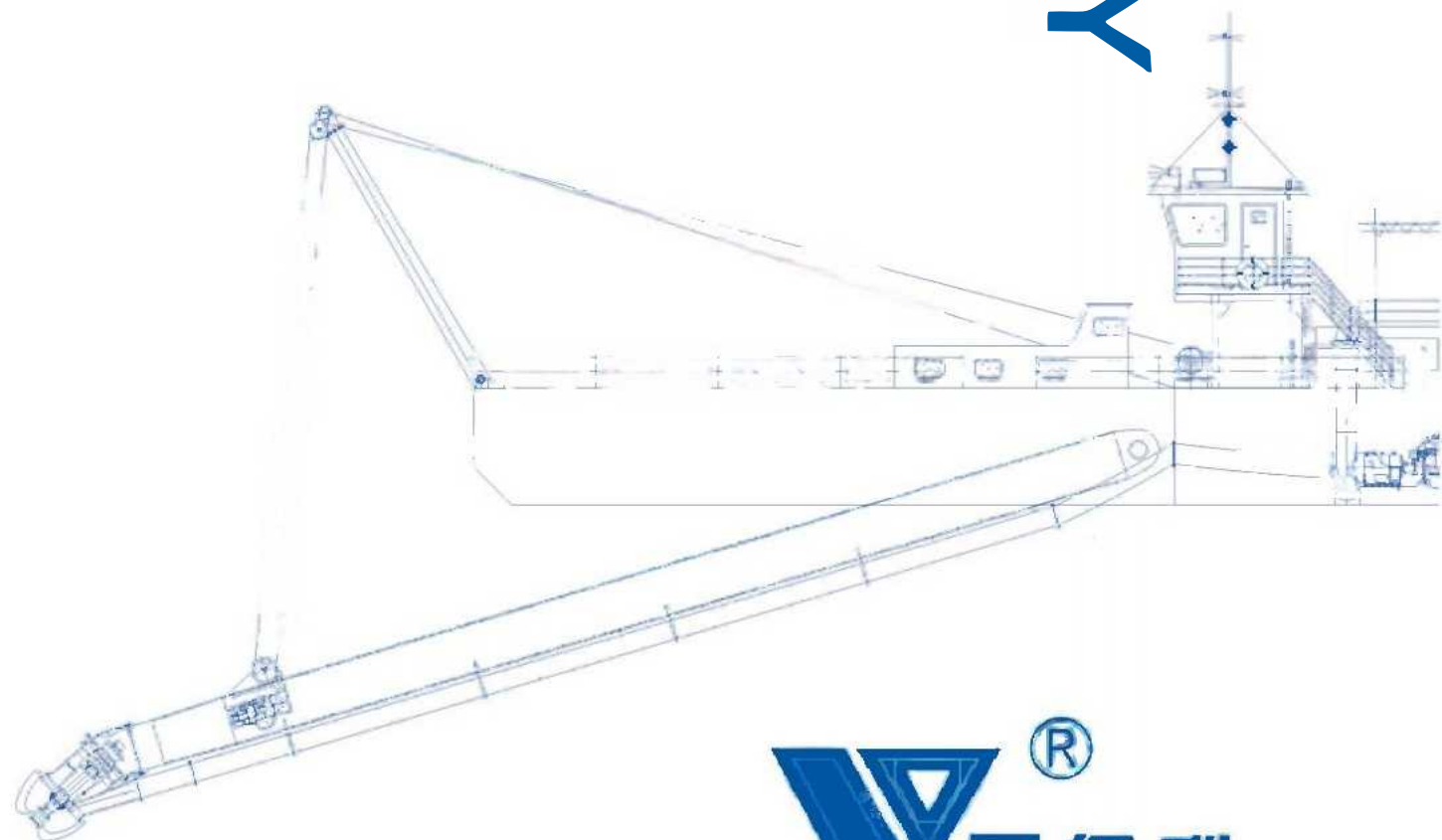


YONGLI MACHINERY

Qingzhou Yongli Mining And Dredging Machinery Co., Ltd



Email: carrie@chinadredgers.com

Qingzhou Yongli Mining And Dredging Machinery Co., Ltd

Mob: 0086-18763639739

Web: www.chinadredgers.com

Add: Masong Village, Huanglou Town,

Qingzhou City, Shandong Province, China



COMPANY PROFILE



Qingzhou Yongli Mining And Dredging Machinery Co.Ltd, located in Qingzhou city—one of the Nine Ancient Cities in China, is a professional manufacturer of dredging and mining equipment. We are dedicated in R&D, designing, producing, assembling, testing, training and other services.

Being established in 1990, we mainly produce desilting and sand dredging machines.

Main products:

Cutter suction dredger

Jet suction sand dredger

Bucket chain type /Bucket wheel type sand dredger

Amphibious dredger, Drilling suction sand dredger

In 1999, according to special terrains and working condition in China, Africa and Southeast Asia, adopting Europe and America technology, we successfully developed the gold, diamond, iron ore mining machinery and tailing recovery plant.

Main products:

Bucket chain type gold/diamond dredger

Jet suction type /Cutter suction type gold/diamond dredger

Land-use stationary type /mobile type gold/diamond washing plant

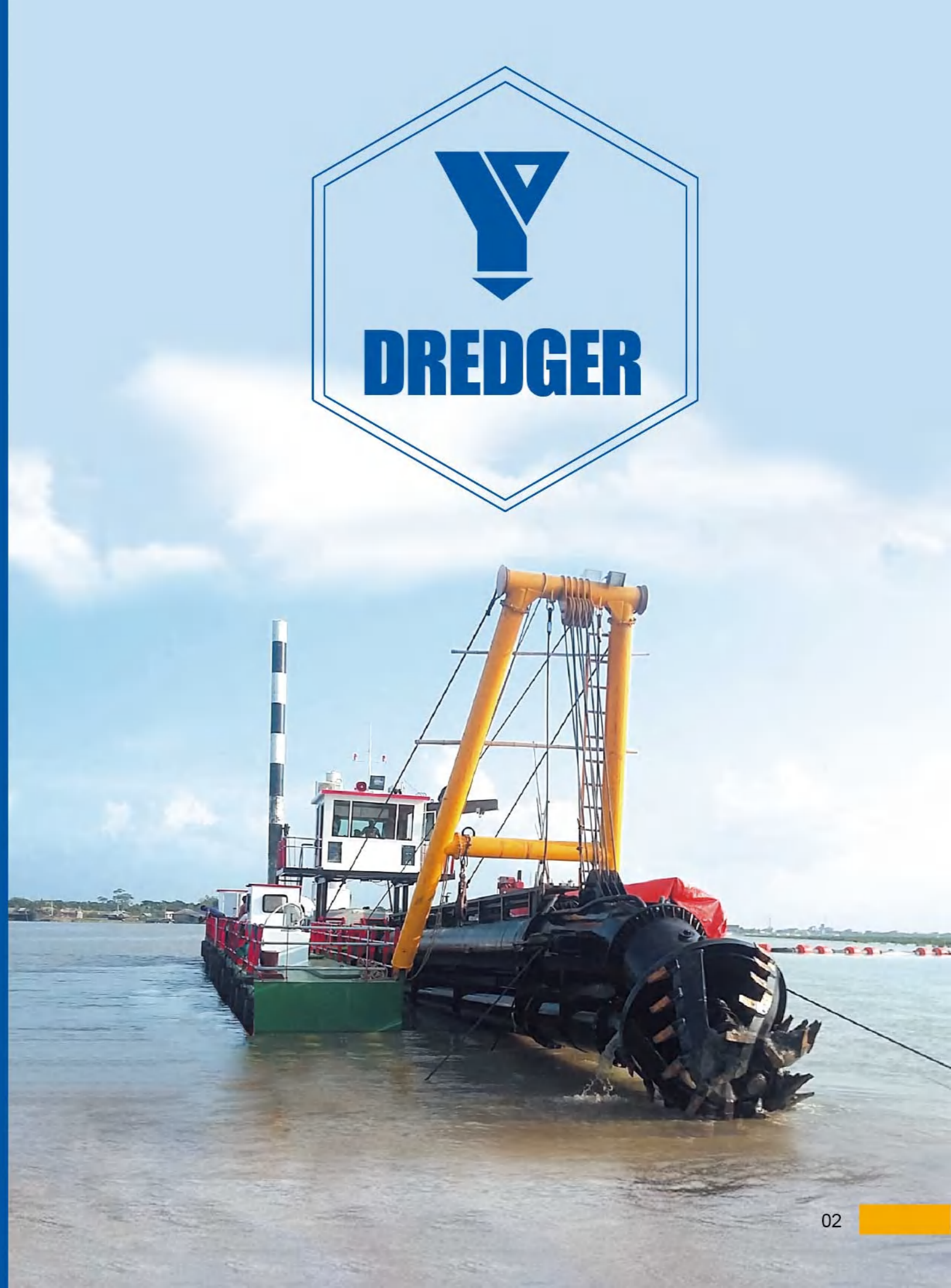
Successful YONGDELI series of products have won the approval by General Administration of Quality Supervision, Inspection and Quarantine of the People's Republic of China, and are certificated by the Quality Management System Certification (ISO9001:2015) because of our years of hard work. Our company also gets the Certificate of Vessel Inspection authorized by China MSA. For the jig machine, we applied acquired the letter of patent from State Intellectual Property Office of P.R.C. We have honored for first-class products quality and excellent after-sale services by customers worldwide.

We always insist on the principles of honesty, mutual benefit, co-development and welcome to our factory for investigation and business discussion.



COMPANY HONOR

We value products for many years to wear heart, regards product quality as the life, in our constant efforts, received many honors

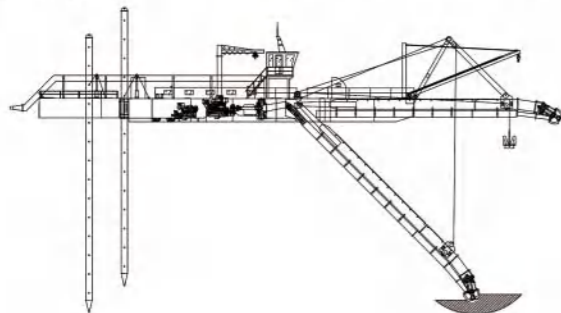




YLCSD-800

Product Features:

- Completely assembled and fully tested before delivery
- Simple, rapid assembly and dismantling
- Standard design, allowing early delivery and low price
- Spare parts available from stock
- Can be delivered to any location where need dredging
- Responsible for installation and training of operators in the dredging place
- Transportable by road, rail or sea
- Reliable engine capability , dredging pump capability and hydraulic system



Technical Parameter

Model	YLCSD-800
Slurry capacity	8000m ³ /h
Slurry concentration	15-20%
Length overall	41m
Breadth	10m
Height	3m
Dredging depth	15m
Discharge distance	1500m
Total power	3600kw
Hydraulic winch	250kn
Cutter power at shaft	600kw

YLCSD-700

Product Features:

- The Cutter Suction Dredger of steel construction, the non self-propelled, dismantlable type, is able to berth and dredge at any waters both in the coastal area and inland rivers.
- Its hull consists of a main pontoon and two side pontoons which is to be easy to dismantle for transportation by road, rail or water, and is to be easy to reassemble at project site. The engines and dredge pump are located in the center pontoon. Two side pontoons serve as fuel bunkers, ballast tanks and storage tanks.
- The dredger is powered by diesel engines. The main diesel engine is to drive the dredge pump and the auxiliary engine is to drive hydraulic system, including cutter, swing and ladder winches, anchor winches and the spud rams etc.



Technical Parameter

Model	YLCSD-700
Slurry capacity	7000m ³ /h
Slurry concentration	15-20%
Length overall	41m
Breadth	9.3m
Height	2.8m
Dredging depth	15m
Discharge distance	1500m
Total power	3365kw
Hydraulic winch	200kn
Cutter power at shaft	450kw



YLCSD-650

Product Features:

- The cutter suction dredger could work for full time in A/B type sheltered sailing area and inland waterways, lakes and reservoirs because of its high terrain adaptability
- The cutter suction dredger is of dis-mountable designing and structure, which makes it easy to disassembling and transportation by road. After simple on-site assembling and commissioning, the cutter suction dredger will be put into use.
- The excavating and discharging processes are completed one time and without help of other machines and boats, so the project operating cost will be brought down dramatically.



Technical Parameter

Model	YLCSD-650
Slurry capacity	6000m ³ /h
Slurry concentration	15-20%
Length overall	39m
Breadth	9.03m
Height	2.75m
Dredging depth	15m
Discharge distance	1500m
Total power	2446kw
Hydraulic winch	150kn
Cutter power at shaft	300kw

YLCSD-550

Product Features:

- The cutter suction dredger could be used in inland waterways, lakes, coastal areas for projects of desilting and sand dredging.
- Customized according to dredging depth, working capacity and discharge distance.
- The cutter suction dredger is of dismountable structure, and can be divided into mechanical type, semi-hydraulic type, all-hydraulic type according to the different operating methods.
- Dredging pump is driven by main diesel engine placed in main central pontoon, and auxiliary engine provides power to cutter head, winches, spuds and lighting system.



Technical Parameter

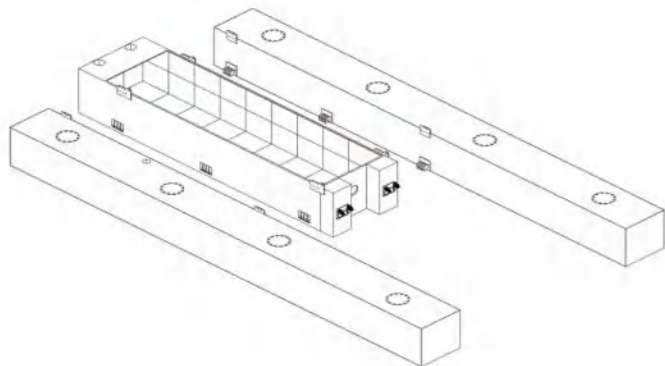
Model	YLCSD-550
Slurry capacity	5000m ³ /h
Slurry concentration	15-20%
Length overall	39m
Breadth	8.8m
Height	2.75m
Dredging depth	15m
Discharge distance	1500m
Total power	1640kw
Hydraulic winch	120kn
Cutter power at shaft	170kw



YLCS-500

Product Features:

• The cutter suction dredger also has advantages of high automation, easy operation, high recovery rate, high concentration ratio, wonderful particle allowance and long discharge distance. When working, you should lower one spud in the back of the dredger in the river bottom, then swing the dredger to cut solids by controlling the steel cable and the locating pulleys fixed on the two sides of the ladder. The dredger will work in fan shape and discharge the solids via gravel pump and discharge pump. Advancing and locating of the cutter suction dredger are all reached by the alternating movement of the two spuds.



Technical Parameter

Model	YLCS-500
Slurry capacity	3500m ³ /h
Slurry concentration	15-20%
Length overall	37m
Breadth	7.5m
Height	2.2m
Dredging depth	15m
Discharge distance	1500m
Total power	1193kw
Hydraulic winch	100kn
Cutter power at shaft	115kw

YLCS-450

Product Features:

- standard design, allowing for short delivery time and competitive pricing
- spare parts available from stock
- durable heavy-duty marine engine
- efficient fuel consumption
- fresh-water engine cooling system
- dredge pump driven through integrated bearing block, clutch and reduction gearbox
- reliable hydraulic system
- completely assembled and fully tested afloat before delivery
- dismantlable and transportable by road, rail or sea
- ready for operation on arrival at site
- one-man operation
- wide range of services and auxiliary equipment available



Technical Parameter

Model	YLCS-450
Slurry capacity	3000m ³ /h
Slurry concentration	15-20%
Length overall	37m
Breadth	7.2m
Height	2.0m
Dredging depth	15m
Discharge distance	1000m
Total power	1007kw
Hydraulic winch	80kn
Cutter power at shaft	115kw



YLCS-400

Product Features:

Our CSD is equipped with state-of-the-art technology, including the following key features:

- low maintenance and efficient power distribution
- environmentally friendly solutions, such as LED lighting
- safe operation using PLC controls and interlocks
- easy to operate for a single person from the operator's seat
- control cabin placed on dampers to improve comfort and reduce noise.



Technical Parameter

Model	YLCS-400
Slurry capacity	2200m ³ /h
Slurry concentration	15-20%
Length overall	36m
Breadth	6.8m
Height	1.8m
Dredging depth	15m
Discharge distance	1000m
Total power	806kw
Hydraulic winch	60kn
Cutter power at shaft	78kw

YLCS-300

Product Features:

- Dismountable design
- Heavy duty robust design
- Simultaneous operation of all functions possible
- Spacious ergonomic designed control cabin and engine room
- Operators cabin with air conditioning
- Very easy to train on and operate
- Easily dismantled for transport via road, rail or sea
- High durability and easy maintenance
- Reliable and efficient



Technical Parameter

Model	YLCS-300
Slurry capacity	1200m ³ /h
Slurry concentration	15-20%
Length overall	29m
Breadth	6m
Height	1.5m
Dredging depth	12m
Discharge distance	1000m
Total power	648kw
Hydraulic winch	40kn
Cutter power at shaft	45kw



YLCS-250

Product Features:

Reliable and efficient

• The cutter suction dredger is well known for its robust construction, reliable operation and excellent performance.

Service and support

• We can provide a complete package of spare parts, maintenance support, equipment training programmes, dredging advisory services and dredge operators for hands-on instruction and commissioning.



Technical Parameter

Model	YLCS-250
Slurry capacity	800m ³ /h
Slurry concentration	15-20%
Length overall	26m
Breadth	5m
Height	1.26m
Dredging depth	12m
Discharge distance	800m
Total power	351kw
Hydraulic winch	40kn
Cutter power at shaft	30kw

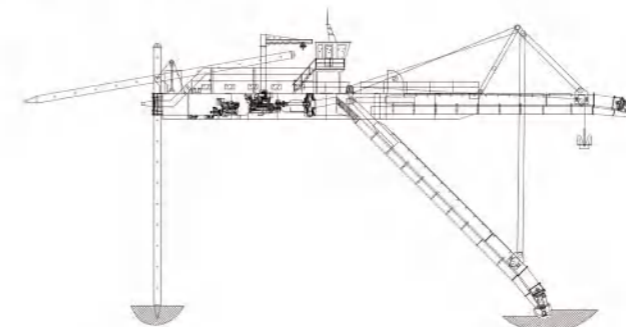
YLCS-200

Product Features:

• Yongli cutter suction dredger is dismantlable and can be easily transported to any locations. With its robust design, it is the preferred choice in its class due to low maintenance, excellent fuel consumption and high productivity levels.

The key features include:

- efficiency and high performance due to the pump, gearbox and fresh-water engine cooling system
- engine mounted in the centre pontoon for protection and low noise levels
- durable heavy-duty marine engine
- safe and robust pump drive



Technical Parameter

Model	YLCS-200
Slurry capacity	500m ³ /h
Slurry concentration	15-20%
Length overall	22m
Breadth	4.8m
Height	1.26m
Dredging depth	10m
Discharge distance	500m
Total power	224kw
Hydraulic winch	20kn
Cutter power at shaft	20kw





Hydrocone sand dredger



Drilling suction sand dredger



Tug boat



Backhoe dredger



Booster station in water



Booster station on land



Cutter head



Winch



WORK BOAT

Product Features:

• Work boat is engineered and built to offer service for cutter suction dredgers. It is able to tow the dredger, lift the pump casing and cutter head. The work boat can also lift the components that tug boat or crew cannot do. This makes them suitable for other jobs too, such as lifting pipelines from the water or shifting anchors.



Technical Parameter

Model	YL-1200
Length	13m
Width	3.3m
Height	1.8m
Fuel tank	20T
Power	179kw
Propeller	1set
Anchor winch	3T
Lifting Crane	4T



YLAWH-40

Product Features:

• Aquatic Weed Harvester is an aquatic machine specifically designed for inland watercourse management to cut and harvest underwater weeds, reeds and other aquatic plant life.



Technical Parameter

Item	Parameter
Length Overall	9.5m
Hull Length	7m
Hull Width	2.8m
Max. Harvest Width	2m
Load Capacity	2-3 Tons
Working Speed	2-3km/hr
Drive Mode	Bilateral Paddle Wheel
Max. Discharge Height	3m
Working Capacity	1000-2000m ² /hr



Bucket chain sand dredger



Mud barge



Sand barge



BUCKET TYPE GOLD DIAMOND DREDGER

Product Features:

- The dredger could be divided into bucket type and pump suction type. Bucket type dredger is applied for waterways with high percentage of clay and gravels, while pump suction type can only be used for terrains with low percentage of clay and gravel.
- Iron ore needs to be retrieved firstly by magnetic separator if the percentage is high in the raw ore, then gold, diamond, zirconium will be concentrated.
- The key part for the diamond dredger is pulsating jigger. The deal capacity decides the quantity of jigger. We learn the jigger's technology from one engineer of South Africa. Now the diamond dredger is widely used in Africa.



Technical Parameter

Model	Capacity (t/h)	Power (kw)	Water consumption (m³/h)	Depth (m)	Recovery
YLBCD-100	100	60-100	100-200	1~25	85-90%
YLBCD-150	150	80-150	150-250	1~25	85-90%
YLBCD-200	200	100-200	200-300	1~25	85-90%
YLBCD-250	250	120-250	250-400	1~25	85-90%
YLBCD-300	300	300-500	350-600	1~25	85-90%

We also can supply others upon customer's request.



BUCKET CHAIN GOLD DREDGER

Product Features:

- The dredger could be divided into bucket type and pump suction type. Bucket type dredger is applied for waterways with high percentage of clay and gravels, while pump suction type can only be used for terrains with low percentage of clay and gravel.
- Iron ore needs to be retrieved firstly by magnetic separator if the percentage is high in the raw ore, then gold, diamond, zirconium will be concentrated.
- The dredger is composed of several gravity concentrators. The concentration ratio could reach as high as 1:1000, and the recovery efficiency about 90% after series of separating.



Technical Parameter

Model	Capacity (t/h)	Power (kw)	Water consumption (m³/h)	Depth (m)	Recovery
YLGD-100	100	60-100	100-200	1~25	85-90%
YLGD-150	150	80-150	150-250	1~25	85-90%
YLGD-200	200	100-200	200-300	1~25	85-90%
YLGD-250	250	120-250	250-400	1~25	85-90%
YLGD-300	300	300-500	350-600	1~25	85-90%

We also can supply others upon customer's request.



BUCKET CHAIN DIAMOND DREDGER

Product Features:

- The dredger could be divided into bucket type and pump suction type. Bucket type dredger is applied for waterways with high percentage of clay and gravels, while pump suction type can only be used for terrains with low percentage of clay and gravel.
- Iron ore needs to be retrieved firstly by magnetic separator if the percentage is high in the raw ore, then gold, diamond, zirconium will be concentrated.
- The key part for the diamond dredger is pulsating jigger. The deal capacity decides the quantity of jigger. We learn the jigger's technology from one engineer of South Africa. Now the diamond dredger is widely used in Africa.



Technical Parameter

Model	Capacity (t/h)	Power (kw)	Water consumption (m³/h)	Depth (m)	Recovery
YLDD-100	100	60-100	100-200	1~25	85-90%
YLDD-150	150	80-150	150-250	1~25	85-90%
YLDD-200	200	100-200	200-300	1~25	85-90%
YLDD-250	250	120-250	250-400	1~25	85-90%
YLDD-300	300	300-500	350-600	1~25	85-90%

We also can supply others upon customer's request.



SUCTION TYPE GOLD DREDGER

Product Features:

- The dredger could be divided into bucket type and pump suction type. Bucket type dredger is applied for waterways with high percentage of clay and gravels, while pump suction type can only be used for terrains with low percentage of clay and gravel.
- Customized according to specific requirements for dredging depth and capacity.
- The dredger is composed of several gravity concentrators. The concentration ratio could reach as high as 1:1000, and the recovery efficiency about 90% after series of separating.



Technical Parameter

Model	Capacity (t/h)	Power (kw)	Water consumption (m³/h)	Depth (m)	Recovery
YLSGD-100	100	60-100	100-200	1~25	85-90%
YLSGD-150	150	80-150	150-250	1~25	85-90%
YLSGD-200	200	100-200	200-300	1~25	85-90%
YLSGD-250	250	120-250	250-400	1~25	85-90%
YLSGD-300	300	300-500	350-600	1~25	85-90%

We also can supply others upon customer's request.



GOLD WASHING PLANT

Product Features:

- Could be used to mine gold mixed with sand in palaeochannel, palaeo-riverbed, alluvial placer, tailing after ball milling, and diamond and zirconium in raw ore.
- Iron ore needs to be retrieved firstly by magnetic separator if the percentage is high in the raw ore, then gold, diamond, zirconium will be concentrated, or the effectiveness will be affected.
- This set of mining equipment are composed of several gravity concentrators. The concentration ratio could reach as high as 1:1000, and the recovery efficiency about 90% after series of separation.



Technical Parameter

Model	Capacity (t/h)	Power (kw)	Water consumption (m³/h)	Particle size (mm)	Recovery
YLGWP-100	100	92	200	≤300	90%
YLGWP-150	150	100	300	≤300	90%
YLGWP-200	200	106	400	≤300	90%
YLGWP-250	250	118	500	≤300	90%

We also can supply others upon customer's request.



GOLD WASHING PLANT

Product Features:

- Could be used to mine gold mixed with sand in palaeo-channel, palaeo-riverbed, alluvial placer, tailing after ball milling, and diamond and zirconium in raw ore.
- Iron ore needs to be retrieved firstly by magnetic separator if the percentage is high in the raw ore, then gold, diamond, zirconium will be concentrated, or the effectiveness will be affected.
- This set of mining equipment are composed of several gravity concentrators. The concentration ratio could reach as high as 1:1000, and the recovery efficiency about 90% after series of separation.



Technical Parameter

Model	Capacity (t/h)	Power (kw)	Water consumption (m³/h)	Particle size (mm)	Recovery
YLGWP-100	100	92	200	≤300	90%
YLGWP-150	150	100	300	≤300	90%
YLGWP-200	200	106	400	≤300	90%
YLGWP-250	250	118	500	≤300	90%

We also can supply others upon customer's request.



DIAMOND WASHING PLANT

Product Features:

- Could be used to mine diamond mixed with sand in palaeochannel, palaeo-riverbed, alluvial placer, and zirconium in raw ore.
- Iron ore needs to be retrieved firstly by magnetic separator if the percentage is high in the raw ore, then gold, diamond, zirconium will be concentrated, or the effectiveness will be affected.
- This set of mining equipment are composed of several gravity concentrators. The concentration ratio could reach as high as 1:1000, and the recovery efficiency about 90% after series of separation.



Technical Parameter

Model	Capacity (t/h)	Power (kw)	Water consumption (m³/h)	Particle size (mm)	Recovery
YLDWP-100	100	92	200	≤300	90%
YLDWP-150	150	100	300	≤300	90%
YLDWP-200	200	106	400	≤300	90%
YLDWP-250	250	118	500	≤300	90%

We also can supply others upon customer's request.



Sand making washing plant



Sand washing plant



Sand washing plant

CUSTOMERS' PHOTO

